

CMRI CERT NO.:- CIMFR/TC/SR/H483  
 SUPPLE. T.C. NO. :- CIMFR/TC/S/H144  
 CAT.NO.:- KJB-A

TECHNICAL DATA

ENCLOSURE :-  
 EX-d AS PER IS/IEC 60079-1:2007

PROTECTION :-  
 IP-66 AS PER IS 12063-1987 (IS/IEC 60529:2001)

AREA CLASSIFICATION :-  
 ZONE -1 & 2

GAS GROUPS :-  
 IIB

TEMPERATURE CLASS :-  
 T6

MATERIAL OF CONSTRUCTION :-  
 CAST AL ALLOY LM-6

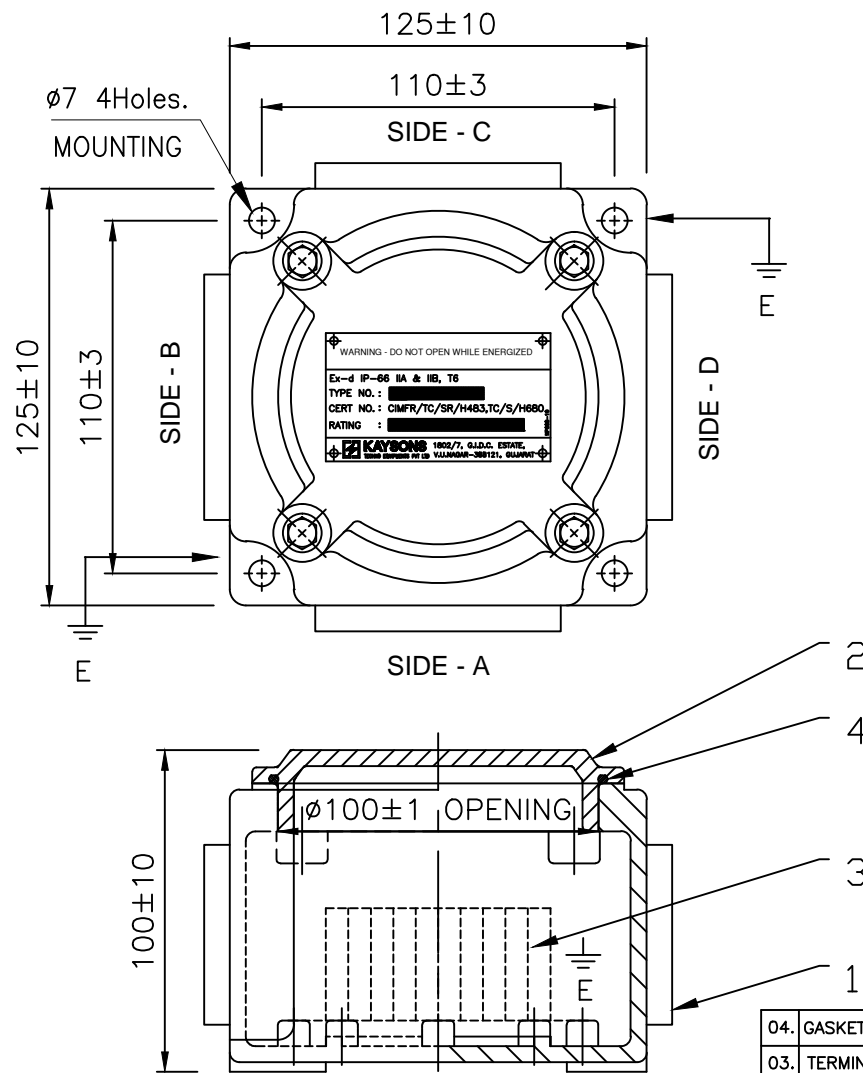
GASKET :-  
 MOLDED NEOPRENE

HARDWARE :-  
 STEEL ZINC PLATED/STAINLESS STEEL

FINISH :-  
 LIGHT GREY

EARTHING :-  
 1 NO. INSIDE & 2 NOS. OUTSIDE

CABLE ENTRY :-  
 TO BE SPECIFIED WHILE ORDERING.



CABLE ENTRY & TERMINAL DETAILS

04.	GASKET (ENDLESS, MOULDED)	1	NEOPRENE
03.	TERMINAL	A.R.	CLIPON TYPE
02.	COVER	1	CAST AL. ALLOY
01.	BODY	1	CAST AL. ALLOY
NO.	DESCRIPTION	QTY	MAT./RATING

SR. NO.	TAG NO.	NO. OF CABLE ENTRY				NO. OF TERMINAL	QTY.
		SIDE-A	SIDE-B	SIDE-C	SIDE-D		

THE INFORMATION CONTAINED IN THIS DRAWING IS THE PROPERTY OF KAYSONS TECHNO EQUIPMENTS PVT. LTD. AND IS NOT TO BE COPIED OR MISUSED IN ANY WAY.

ISSUE	DATE	BY	MODIFICATION

CLIENT :-		DRAWN	KBP	1.8.13
CONSULTANT :-		APP'D	HPB	1.8.13
P.O.NO. :-		CH'D	NPB	1.8.13
<b>KAYSONS</b>		1802/7, G.I.D.C. ESTATE, V.U.NAGAR 388121. (GUJARAT)		

DESCRIPTION:-  
**FLAMEPROOF WEATHERPROOF JUNCTION BOX**

SHT.NO.	REV.	DRG.NO.:-
1 OF 1	0	H02